

TM3BCEIP

I/O distributed module, Modicon TM3, IP20 Optimized Bus Coupler Ethernet Interface



Product availability: Non-Stock - Not normally stocked in distribution facility

Price*: 340.00 USD



Main

Range of product	Modicon TM3
Product compatibility	Logic controller Motion controller
Product or component type	I/O distributed module
Product specific application	Bus coupler module

Complementary

Communication port protocol	Ethernet IP/Modbus TCP
Connector type	RJ45 2 Ethernet daisy chain isolated USB device port Mini-B
Exchange mode	Half duplex, full duplex, autonegotiation
Transmission rate	10/100 Mbit/s
Topology	Daisy chain
Port Ethernet	10/100BASE-T
Communication network type	Ethernet IP Modbus TCP IPv4 (internet protocol)
Communication service	Ethernet/IP adapter Modbus TCP/IP server RSTP (Ring topology support) SNMP Web server DHCP client BOOTP Address conflict detection FTP server
Web services	Web server, Ethernet Web server, USB
Current consumption	0.8 A 24 V DC internal supply maximum 7 expansion modules
Local signalling	1 LED green/red PWR (System Status) 1 LED green/red MS (Module Status) 1 LED green/red NS (Network Status) 1 LED green/red I/O status

Fixing mode	By clipping locks rail) By screws mounting plate)
Width	1.06 In (27 mm)
Height	3.80 In (96.5 mm)
Depth	2.76 In (70 mm)
Net Weight	0.22 Lb(US) (0.10 kg)

Environment

Ambient air temperature for storage	-13...158 °F (-25...70 °C)
Pollution degree	2
Ambient air temperature for operation	14...140 °F (-10...60 °C)
IP degree of protection	IP20 conforming to IEC/EN 61010-2-201
Relative humidity	10...95 % non-condensing
Operating altitude	0...6561.68 ft (0...2000 m)
Storage altitude	0.00...9842.52 Ft (0...3000 m)
Vibration resistance	3M4 35 x 15 mm symmetrical DIN rail

Ordering and shipping details

Category	22533 - M2XX PLC & ACCESSORIES
Discount Schedule	MSX
GTIN	03606489703530
Nbr. of units in pkg.	1
Package weight(Lbs)	1 Lb(US) (0.45 kg)
Returnability	Yes
Country of origin	US

Packing Units

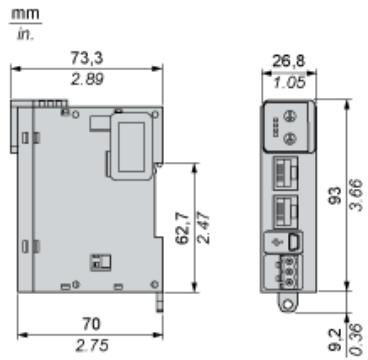
Unit Type of Package 1	PCE
Package 1 Height	2.83 In (7.2 cm)
Package 1 width	4.09 In (10.4 cm)
Package 1 Length	4.88 In (12.4 cm)

Offer Sustainability

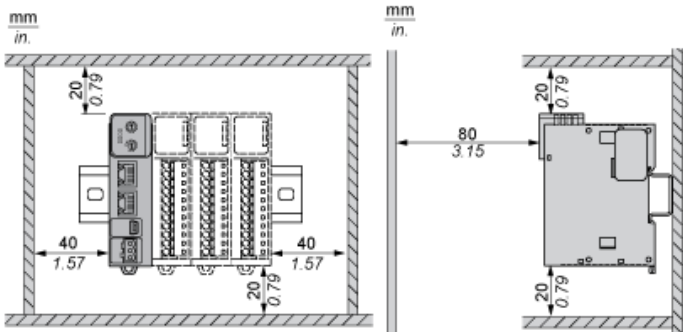
Sustainable offer status	Green Premium product
California proposition 65	WARNING: This product can expose you to chemicals including: Lead and lead compounds, which is known to the State of California to cause cancer and birth defects or other reproductive harm. For more information go to www.P65Warnings.ca.gov
REACH Regulation	REACH Declaration
EU RoHS Directive	Pro-active compliance (Product out of EU RoHS legal scope) EU RoHS Declaration
Mercury free	Yes
RoHS exemption information	Yes
China RoHS Regulation	China RoHS Declaration
Environmental Disclosure	Product Environmental Profile
Circularity Profile	End Of Life Information
PVC free	Yes

Dimensions

Side and Front Views



Spacing Requirements



Product Life Status : **Commercialised**